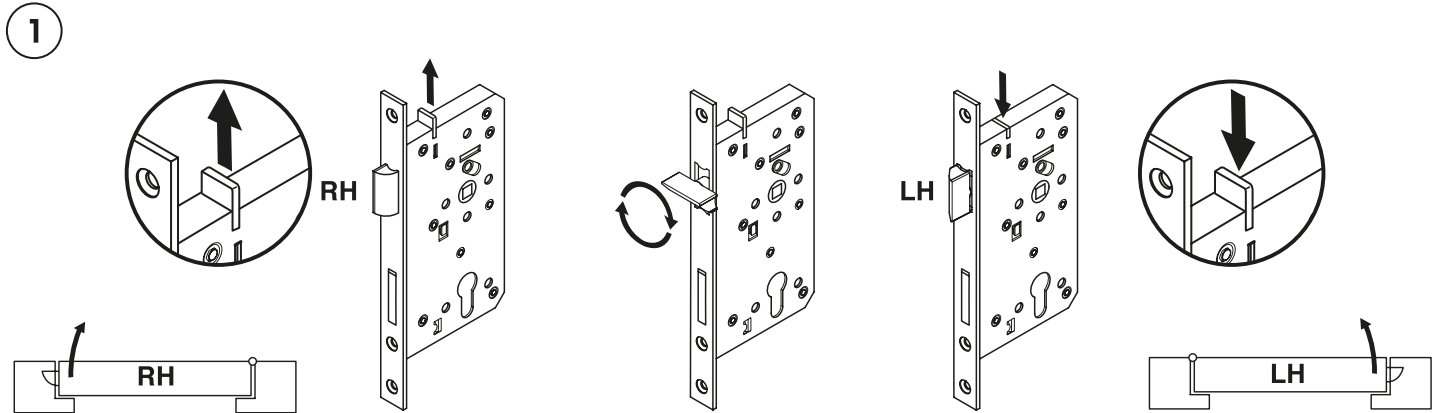


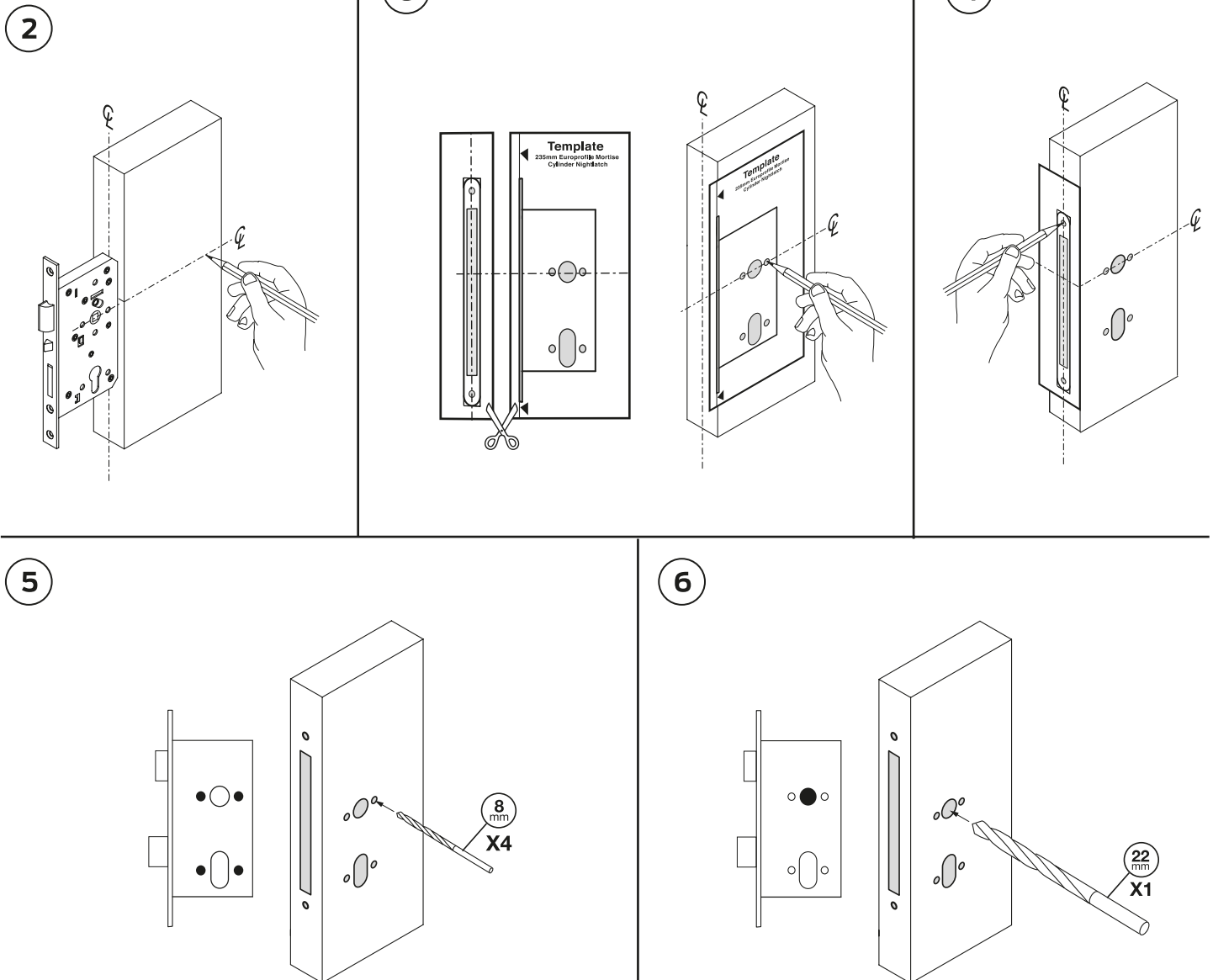
Installation Instructions – European 72mm Lock Range

5600/001/00
Rev.D.

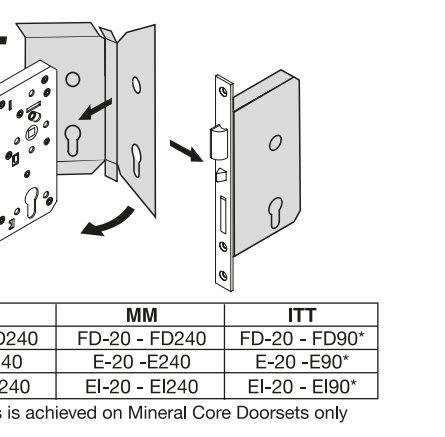
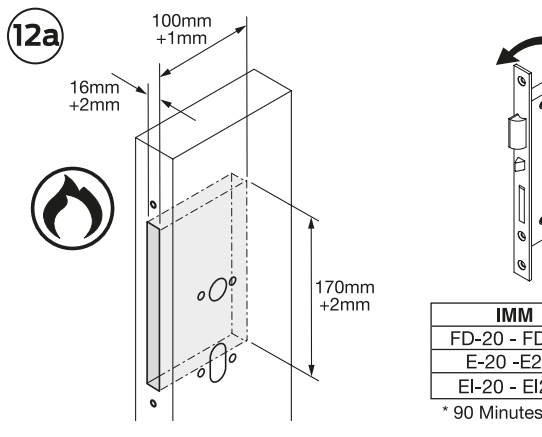
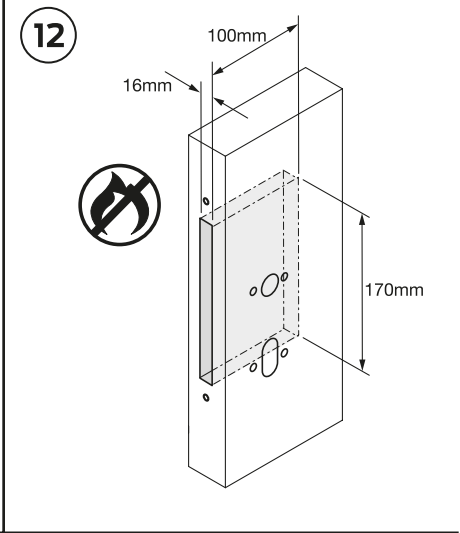
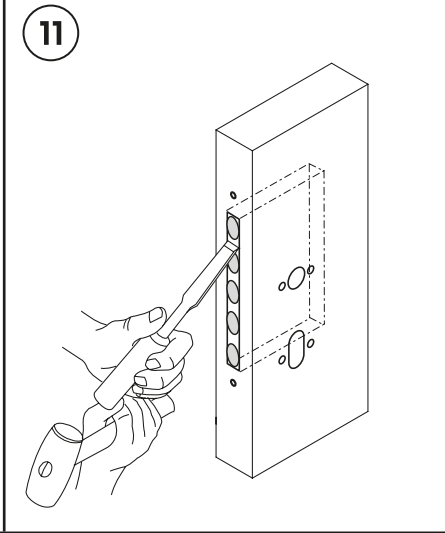
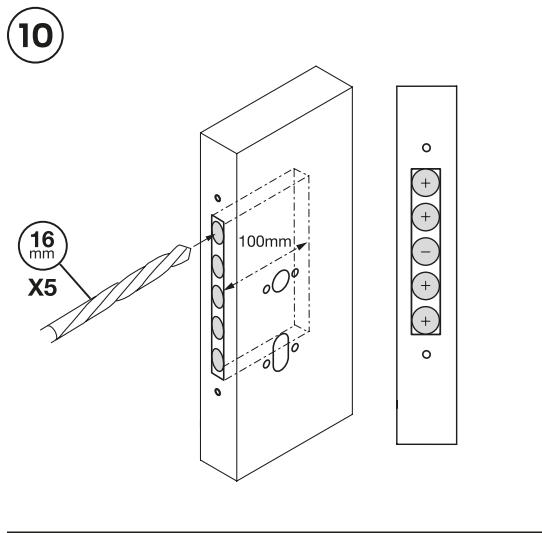
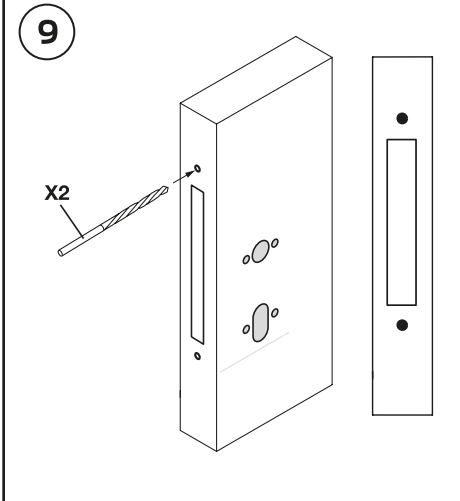
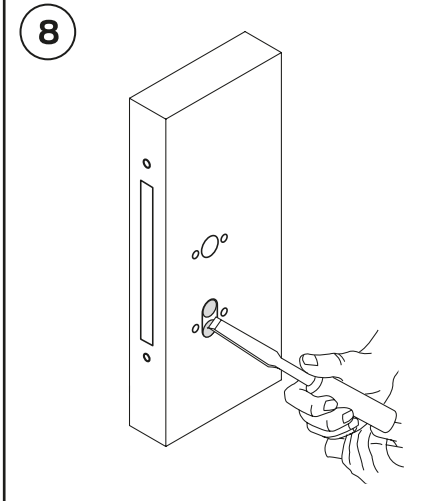
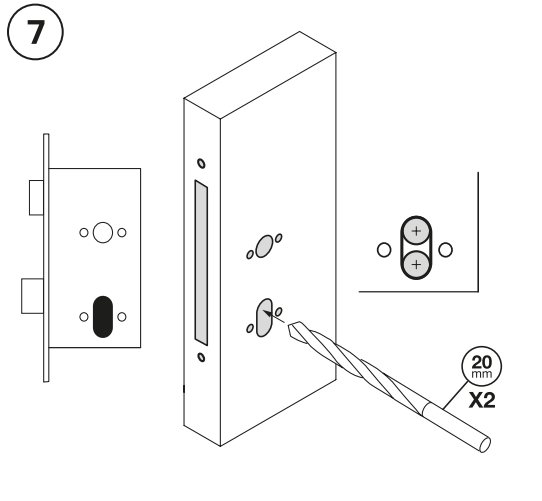
Changing Handing of Lock (if required)



Installation of Lock

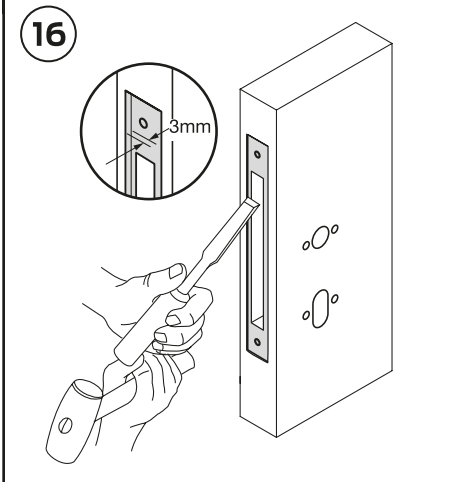
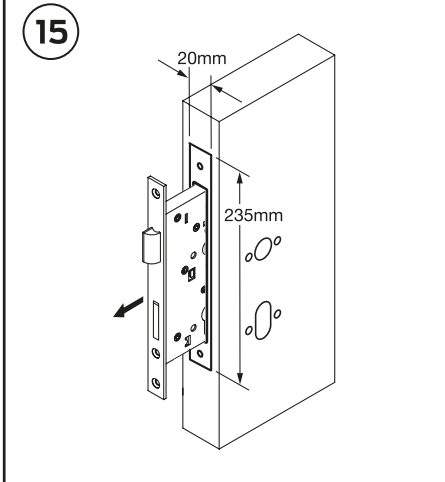
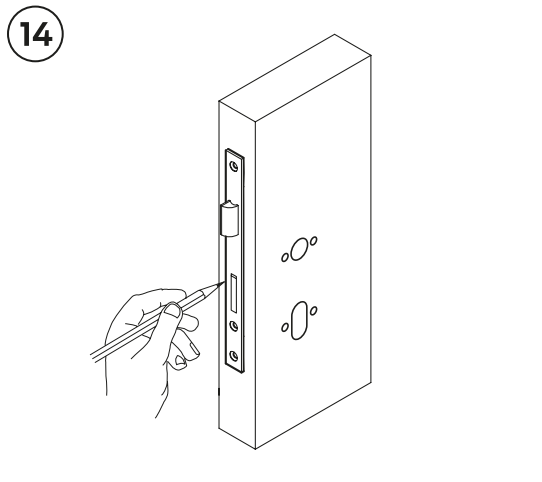


Installation Instructions – European 72mm Lock Range



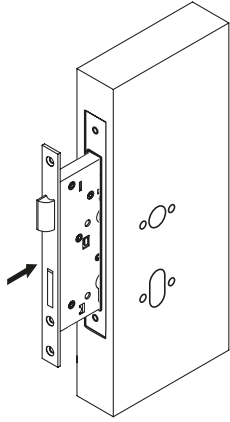
IMM	MM	ITT
FD-20 - FD240	FD-20 - FD240	FD-20 - FD90*
E-20 - E240	E-20 - E240	E-20 - E90*
EI-20 - EI240	EI-20 - EI240	EI-20 - EI90*

* 90 Minutes is achieved on Mineral Core Doorsets only

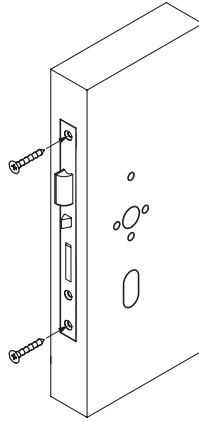


Installation Instructions –European 72mm Lock Range

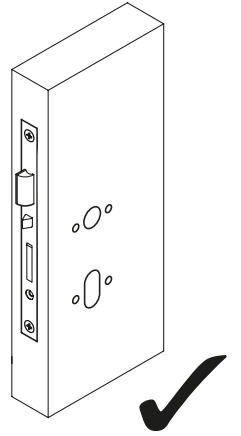
17



18

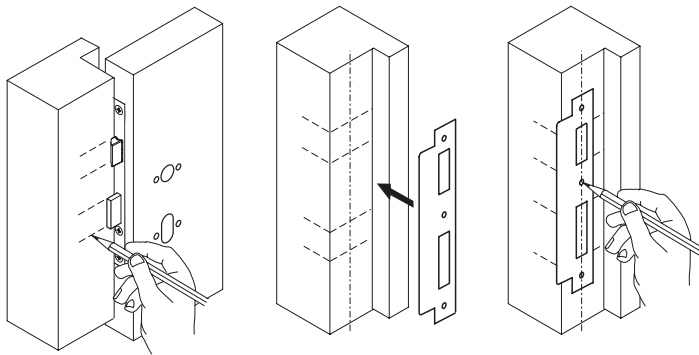


19

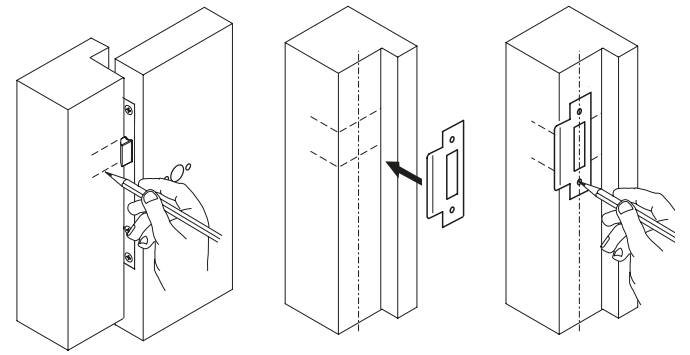


Installation of Strike

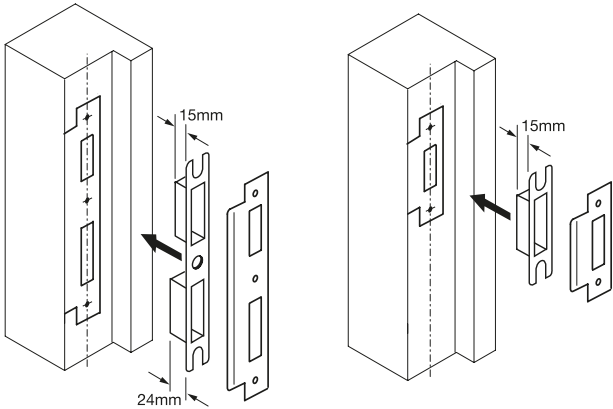
20



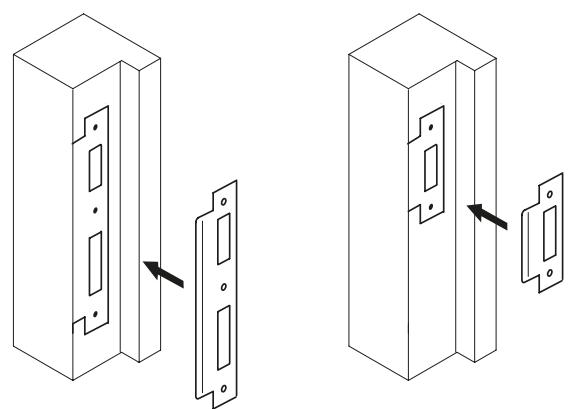
20 a



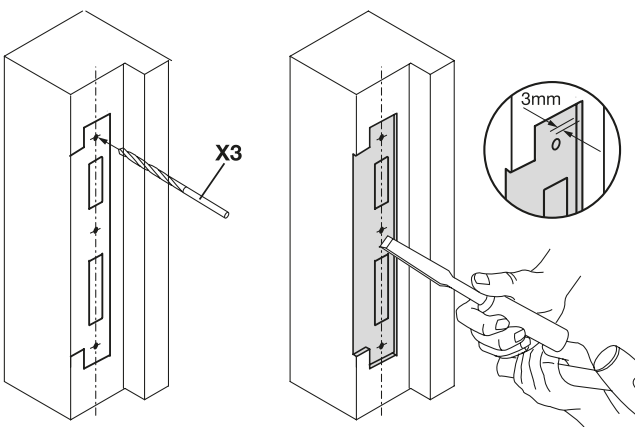
21



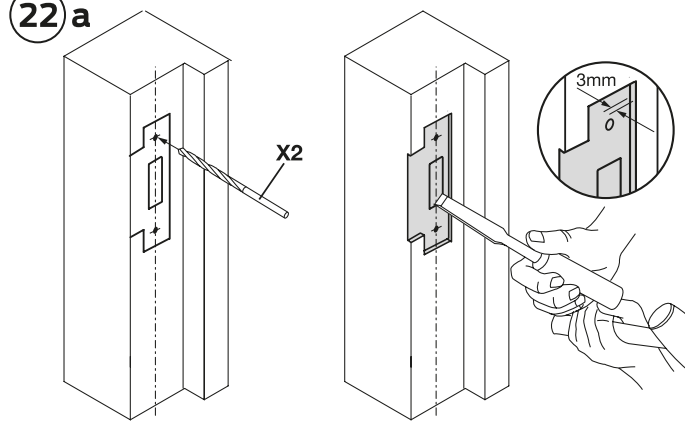
21 a



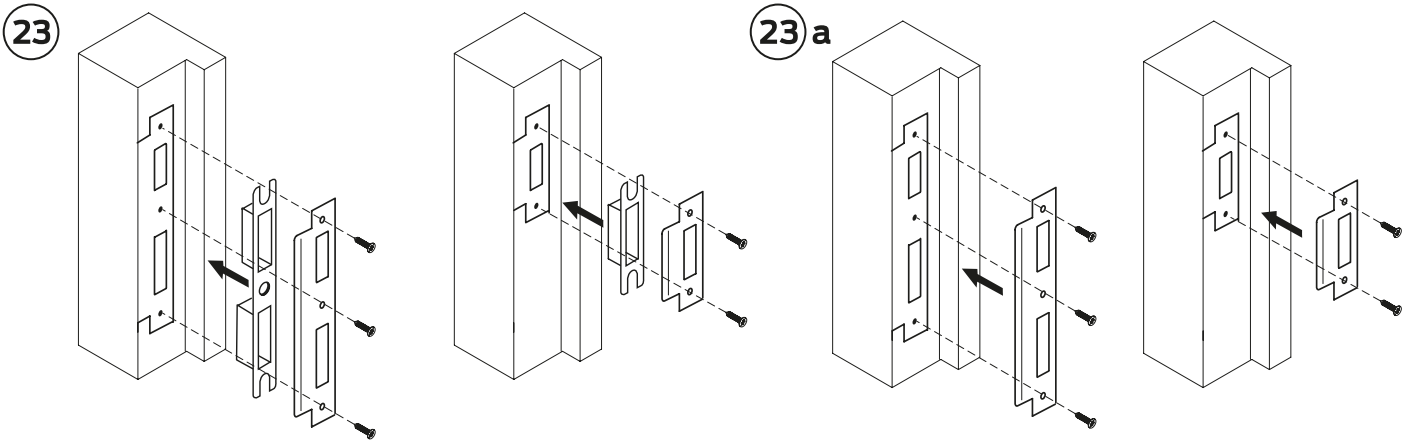
22



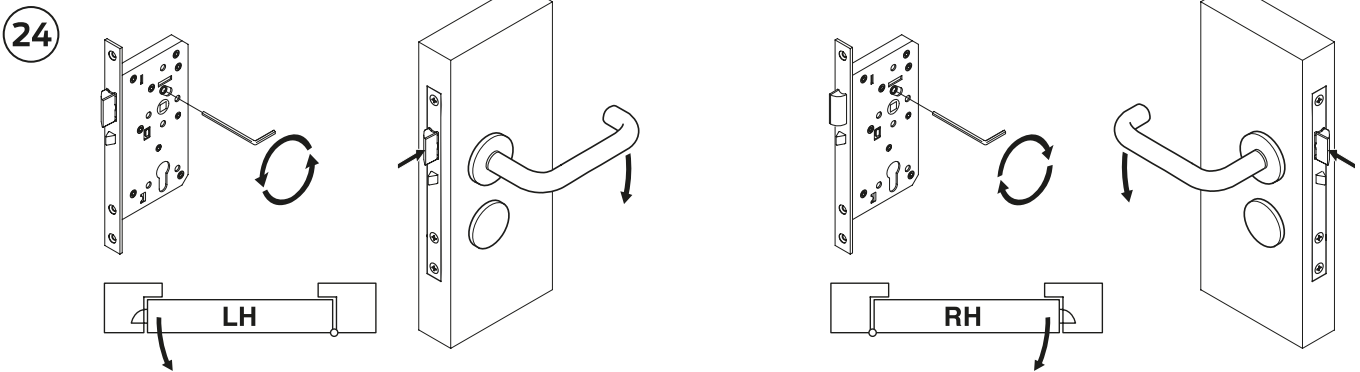
22 a



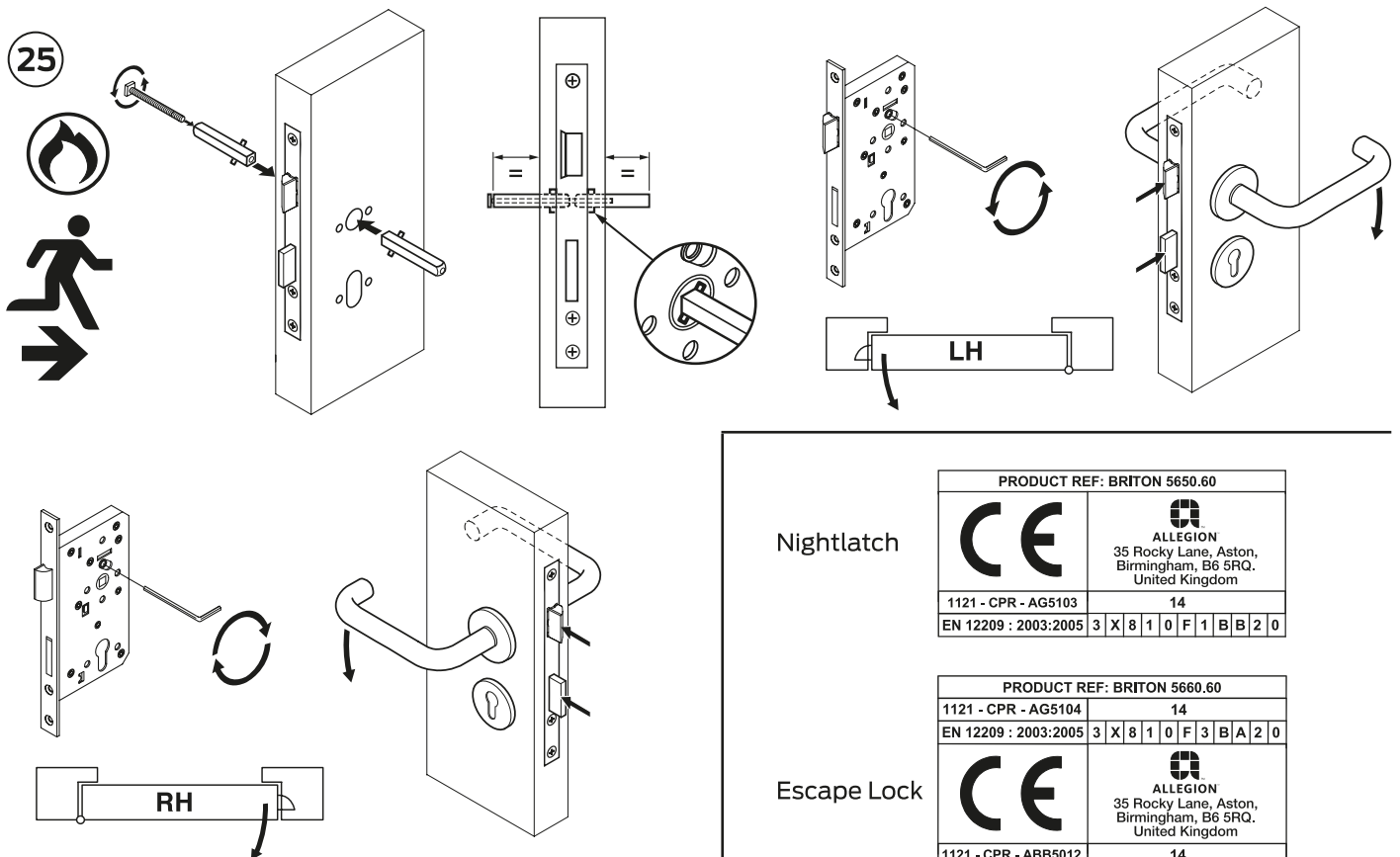
Installation Instructions – European 72mm Lock Range



Nightlatch



Escape Lock - Instructions for reversal of escape function handing



Nightlatch

PRODUCT REF: BRITON 5650.60	
CE	ALLEGION 35 Rocky Lane, Aston, Birmingham, B6 5RQ, United Kingdom
	1121 - CPR - AG5103
14	
EN 12209 : 2003:2005 3 X 8 1 0 F 1 B B 2 0	

Escape Lock

PRODUCT REF: BRITON 5660.60	
CE	ALLEGION 35 Rocky Lane, Aston, Birmingham, B6 5RQ, United Kingdom
	1121 - CPR - ABB5012
14	
EN 179 : 2008 3 7 6 B 1 4 4 2 A B/D	